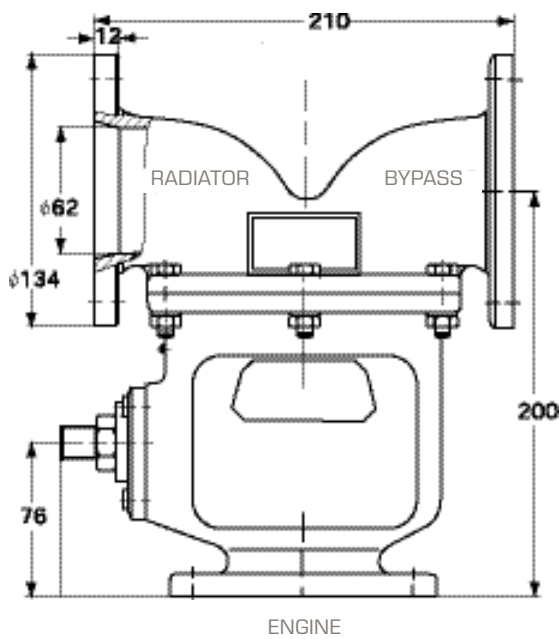
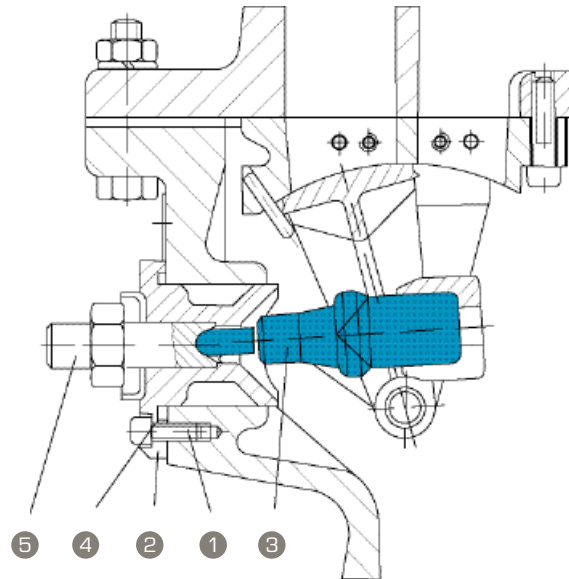


COOLANT TEMPERATURE REGULATORS WING OPERATED DRAWING

Type 2: Wing operated coolant temperature regulators



Type X3.250.*).000, side view



Type X3.250.*).000, wing operated

- | | |
|-----------------|------------------------------|
| 1 Cylinder bolt | 4 Oring |
| 2 Cover | 5 Manual emergency operation |
| 3 Wax element | |